



# IC-M330GE

(With GPS Receiver)

# IC-M330E

(Without GPS Receiver)

VHF MARINE TRANSCEIVERS

## Top Performance Ultra Compact VHF

MADE IN  
JAPAN



- Ultra Compact Body (W x H x D; 156.5 x 66.5 x 88.2 mm)
- Easy Installation in Limited Space
- Easy-to-Read Full Dot-Matrix Display
- Intuitive User Interface
- New Speaker Delivers Dynamic, Clear Audio
- Class Leading Receiver Performance (IMD and Selectivity: more than 70 dB)
- Built-in Class D DSC with a CH70 Dedicated Receiver (IC-M330GE meets ITU-R M.493-14)
- GPS Receiver Built-in with Supplied GPS Antenna (IC-M330GE)
- AquaQuake™ Draining Function
- IPX7 Waterproof Construction (1 m depth of water for 30 minutes)
- Made in Japan Quality and Reliability



**Ultra Compact Body, Flexible Installation**

The compact IC-M330E/GE measures only 156.5 (W) × 66.5 (H) × 88.2 (D) mm making it ideal for a cockpit where space is limited.

**Intuitive User Interface**

A combination of the directional keypad and soft keys provides simple, smooth operation. Most used functions are assigned to soft keys for quick one push function access.

**New Speaker Delivers Dynamic, Clear Audio**

A newly designed speaker delivers distortion-free clear audio even at full volume. It provides dynamic and clear audio over a wide bass and treble range.

**Class Leading Receiver Performance**

The IC-M330E/GE's receiver provides reliable communication in RF busy environment like a marina. (Selectivity and IMD: more than 70 dB)

**Built-in Class D DSC**

The radio monitors CH 70 continuously, even while you are receiving another channel. DSC functions include: distress, individual, group, all ships, urgency, safety, position request/report, polling request and DSC test calls.

**GPS Receiver Built-in (IC-M330GE)**

A built-in GPS receiver provides your location, bearing and speed by using information from GPS, GLONASS and SBAS. The acquired position information can be used for DSC calls.



Supplied GPS antenna

**Made in Japan Quality and Reliability**

All Icom products are tested to pass rigorous in-house tests as well as environmental tests at the Wakayama Icom plant before shipping. Our world-leading products and quality is tradition.

**And More**

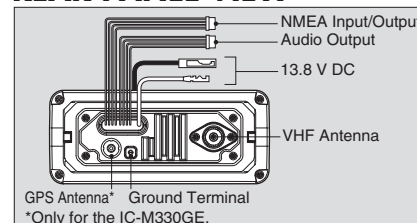
- IPX7 waterproof (1 m depth of water for 30 minutes)
- AquaQuake™ prevents audio degradation from a water-logged speaker
- Common NMEA interface for external GPS/NAV connection
- MA-500TR Class B AIS transponder compatible
- Tag scan and favorite channel functions
- Dual/tri-watch function for monitoring CH16 and/or call channel
- Priority scan function • Display and keypad backlighting
- External speaker connection
- 3-digit or 4-digit channel display selectable
- Supplied hand microphone, HM-235B/W, with channel up/down keys and a CH16/Call channel key

**OPTIONS**



**HM-235B/W**  
HAND MICROPHONE  
Same as supplied.

**REAR PANEL VIEW**



**SPECIFICATIONS**

GENERAL		
Frequency range	Tx RX CH70	156.000–162.000 MHz 156.000–163.425 MHz 156.525 MHz
Usable channels		INT, USA* channels * Available depending on version
Type of emission		16K0G3E (FM), 16K0G2B (DSC)
Power supply requirement		13.8 V DC nominal (10.8–15.6 V DC)
Current drain	Tx 25 W output Rx Max. audio	5 A 1 A
Operating temperature range		–20°C to +60°C
Antenna impedance		50 Ω (SO-239)
Dimensions (W × H × D) (projections not included)		156.5 × 66.5 × 88.2 mm
Weight (approx.)		730 g
NMEA formats	In Out	RMC, GGA, GNS, GLL, VTG DSC, DSE, RMC, GSA, GSV
TRANSMITTER		
Output power		25 W, 1 W
Max. frequency deviation		±5.0 kHz
Frequency stability		Less than ±0.75 kHz
Spurious emissions		Less than 0.25 μW

RECEIVER		
Sensitivity	Main DSC	–5 dBμ emf typ. (20 dB SINAD) –5 dBμ emf typ. (1% BER)
Squelch sensitivity	Main	Less than –2 dBμ emf
Adjacent channel selectivity	Main DSC	More than 70 dB More than 73 dBμ emf (1% BER)
Spurious response	Main DSC	More than 70 dB More than 73 dBμ emf (1% BER)
Intermodulation	Main DSC	More than 70 dB More than 68 dBμ emf (1% BER)
Hum and noise		More than 40 dB
Audio output power (at 10% distortion, 4 Ω load)		More than 2 W

Measurements made in accordance with EN 301 025-2, -3. All stated specifications are subject to change without notice or obligation.

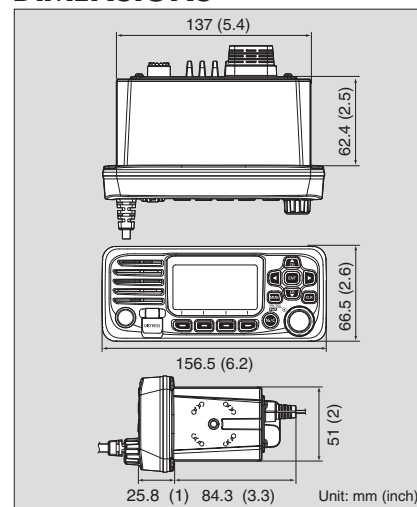
**Applicable IP Rating**

Ingress Protection Standard	
Water	IPX7 (Waterproof protection)

**Supplied accessories:**

- HM-235B/W hand microphone
  - DC power cable
  - Mounting bracket kit
  - GPS antenna (5 m cable)\*
- \* Only for the IC-M330GE.

**DIMENSIONS**



Icom and Icom logo are registered trademarks of Icom Incorporated (Japan) in Japan, the United States, the United Kingdom, Germany, France, Spain, Russia, Australia, New Zealand and/or other countries. AQUAQUAKE is a trademark of Icom Inc. (Japan). All other trademarks are the properties of their respective holders.

**Icom Inc.** 1-1-32, Kamiminami, Hirano-Ku, Osaka 547-0003, Japan Phone: +81 (06) 6793 5302 Fax: +81 (06) 6793 0013

[www.icomjapan.com](http://www.icomjapan.com)

**Icom America Inc.**  
[www.icomamerica.com](http://www.icomamerica.com)

**Icom (Europe) GmbH**  
[www.icomeurope.com](http://www.icomeurope.com)

**Icom (Australia) Pty. Ltd.**  
[www.icom.net.au](http://www.icom.net.au)

Your local distributor/dealer:

**Icom Canada**  
[www.icomcanada.com](http://www.icomcanada.com)

**Icom Spain S.L.**  
[www.icomspain.com](http://www.icomspain.com)

**Icom Asia Co., Ltd.**  
[www.icomasia.com](http://www.icomasia.com)

**Icom Brazil**  
E-mail: [sales@icombrasil.com](mailto:sales@icombrasil.com)

**Icom (UK) Ltd.**  
[www.icomuk.co.uk](http://www.icomuk.co.uk)

**Icom France s.a.s.**  
[www.icom-france.com](http://www.icom-france.com)